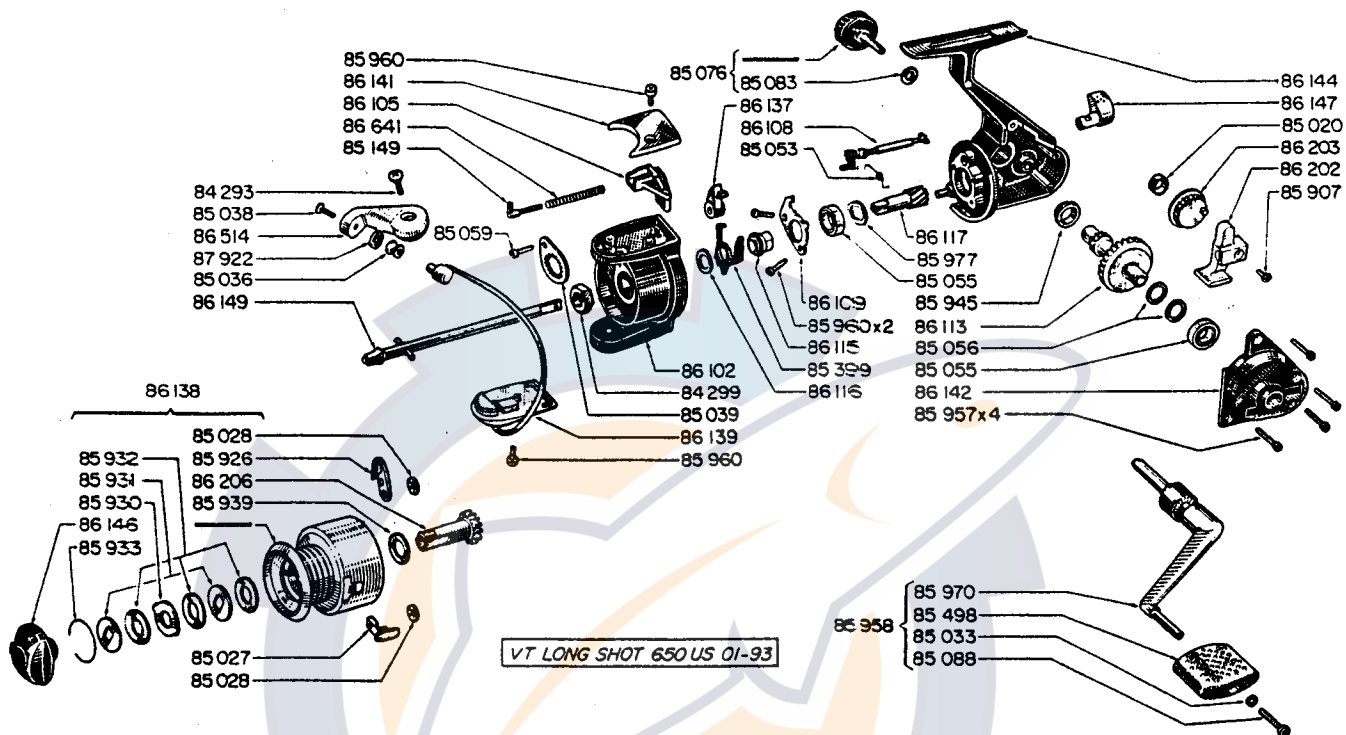


MITCHELL®

650 Long Shot



Part No.	Description	Part No.	Description
8429300	BAIL ARM SCREW	8595800	HANDLE
8429900	ROTATING HEAD HEX NUT	8596000	RETAINING SCREW
8502000	CROSS WIND BUSHING	8597000	HANDLE ARM
8502700	LINE CLIP	8597700	BEARING WASHER
8502800	RETAINING CLIP	8610200	ROTATING HEAD
8503300	HANDLE KNOB WASHER	8610500	TRIP LEVER
8503600	LINE GUIDE	8610800	ANTI-REVERSE SHAFT
8503800	LINE GUIDE SCREW	8610900	BEARING RETAINER
8503900	HEX NUT LOCKING RING	8611300	DRIVE GEAR
8505300	ANTI-REVERSE SHAFT SPRING	8611500	AR FRICTION BUSHING
8505500	BALL BEARING	8611600	AR FRICTION WASHER
8505600	SHIM - DRIVE GEAR	8611700	PINION GEAR
8505900	MOUNTING SCREW	8613700	ANTI-REVERSE DOG
8507600	HANDLE CAP SCREW W/ WASHER	8613800	SPOOL
8508300	CAP SCREW WASHER	8613900	BAIL WIRE W/ COVER PLATE
8508800	HANDLE KNOB SCREW	8614100	COVER PLATE N1
8514900	BAIL SPRING PIN	8614200	SIDE PLATE
8539900	ANTI-REVERSE FRICTION	8614400	HOUSING
8549800	HANDLE KNOB	8614600	DRAG KNOB
8590700	OSCILLATION SLIDE SCREW	8614700	ANTI-REVERSE BUTTON
8592600	SPOOL CLICK	8614900	AXLE
8593000	EARED DRAG WASHER	8620200	OSCILLATION SLIDE
8593100	KEYED DRAG WASHER	8620300	CROSS WIND GEAR
8593200	DRAG WASHER	8620600	SPOOL SPINDLE
8593300	DRAG RETAINER	8651400	BAIL ARM
8593900	BASE DRAG WASHER	8664100	BAIL SPRING
8594500	HOUSING BUSHING	8792200	LINE GUIDE RACE
8595700	SIDE PLATE SCREW		